

FRAME

design | Brian Rasmussen





Suspension
ESAGNON 30

Dimensions
Ø70 H7 cm

Diffuser
clear PMMA/
PMMA trasparente

Structure
matt platinum/
platino opaco



Suspension
COMPO 30x90

Dimensions
L90 W30 H7 cm

Diffuser
clear PMMA/
PMMA trasparente

Structure
white RAL 9010/
bianco RAL 9010



Suspension
OTTAGONO 30

Dimensions
Ø90 H7 cm

Diffuser
clear PMMA/
MMA trasparente

Structure
dove RAL 1019/
tortora RAL 1019



Signs and drawings of light.

The linear LED light-source is the soul of this range: quality of light, minimal size and modularity. The extruded aluminium profile which contains the light-source is both a decorative and a structural element.

*Segni e di-segni di luce
La sorgente luminosa lineare
a LED, è l'anima della collezione:
qualità della luce, ingombro
minimo e modulare.
Il profilo estruso in alluminio,
in cui alloggia il LED,
diventa sia elemento decorativo
che strutturale.*

**Suspension**

COMPO MIX 30X180

Dimensions

W 36 x L 195 x H 7cm

Diffuserclear PMMA/
MMA trasparente**Structure**platinum finish/
finitura platino

The multi configuring lamp
The corner elements 90°, 120° e 135° angle allow you to created
square, rectangular, hexagonal and
octagonal shapes plus many others.

*La lampada componibile
I giunti angolare a 90°, 120° e 135°
permettono di ottenere forme quadrate,
rettangolari, esagonali, ottagonali
e altre fantasiose composizion*

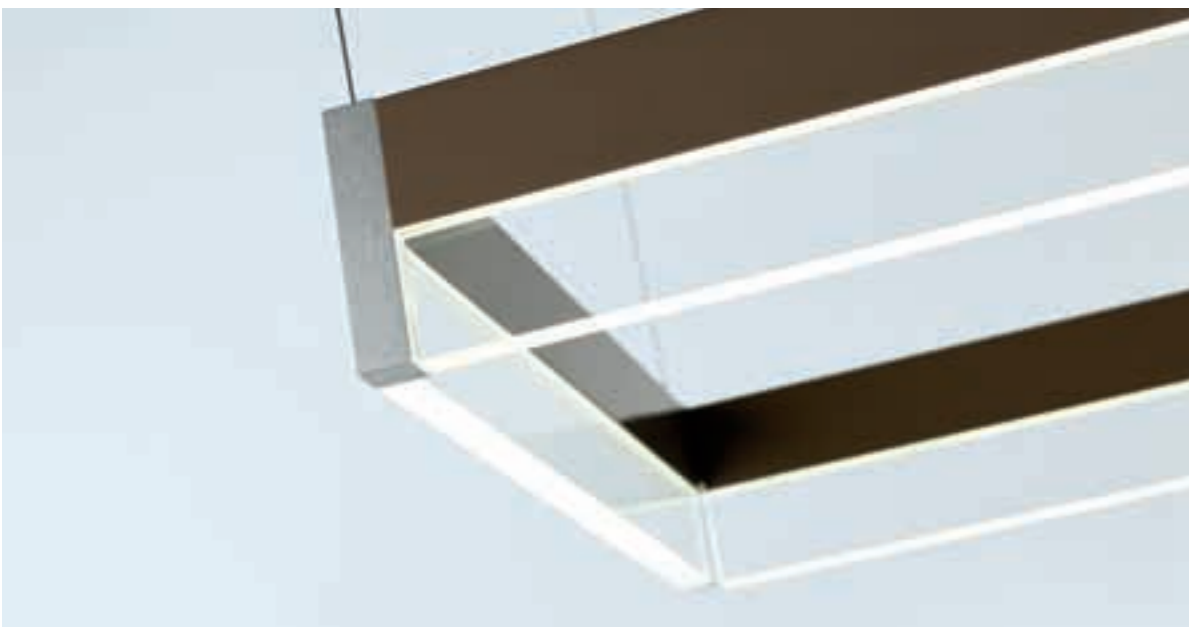
**Suspension**

STELLA

Dimensions

Ø170 H7 cm

Diffuserclear PMMA/
MMA trasparente**Structure**gold finish/
finitura oro



Suspension
COMPO 30x120

Dimensions
L120 W30 H7 cm

Diffuser
clear PMMA/
PMMA trasparente

Structure
dove RAL 1019/
tortora RAL 1019

The light is filtered by an opal PMMA profile that illuminates the underside of the fixture, giving the impression that the light beam is levitating. The different lengths of profile and the flexibility of the joining blocks make this range modular and easy to personalize.

La luce che viene filtrata dal profilo in PMMA ne illumina la parte inferiore satinata, dando l'illusione che la fascia luminosa sia sospesa e galleggi nel vuoto. Le diverse dimensioni dei profili, e la flessibilità degli incastri, rendono l'oggetto modulare e personalizzabile.

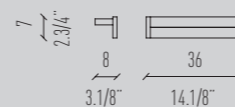


FRAME

collection

APPLIQUE 30

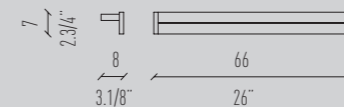
F CE IP 20



Lamp / 5W LED 3000K 720LM

APPLIQUE 60

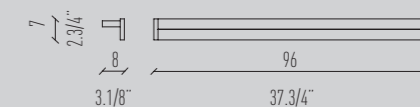
F CE IP 20



Lamp / 10W LED 3000K 720LM

APPLIQUE 90

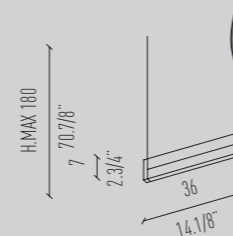
F CE IP 20



Lamp / 14W LED 3000K 720LM

SUSPENSION LIN 30

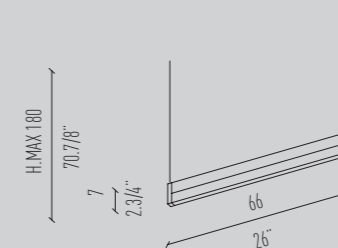
F CE IP 20



Lamp / 5W LED 3000K 720LM

SUSPENSION LIN 60

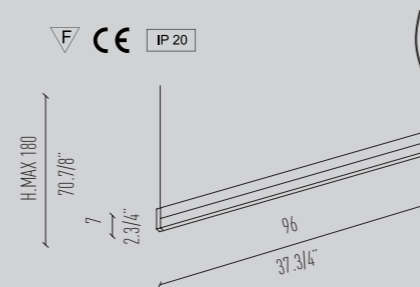
F CE IP 20



Lamp / 10W LED 3000K 720LM

SUSPENSION LIN 90

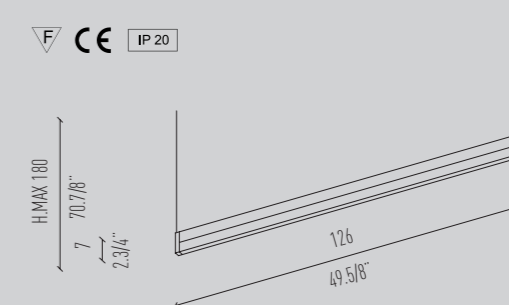
F CE IP 20



Lamp / 14W LED 3000K 720LM

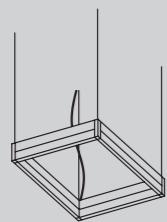
SUSPENSION LIN 120

F CE IP 20



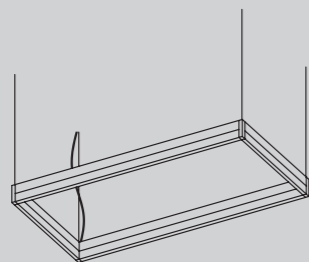
Lamp / 19W LED 3000K 720LM

COMPO 30X30



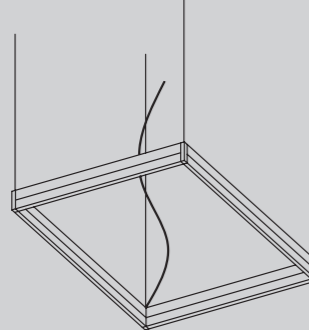
Lamp / 19W LED 3000K 2880LM

COMPO 30X90



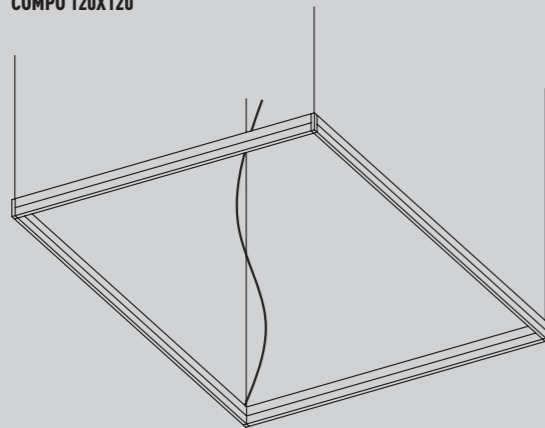
Lamp / 38W LED 3000K 5760LM

COMPO 60X60



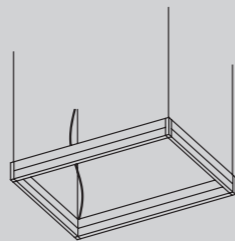
Lamp / 38W LED 3000K 5780LM

COMPO 120X120



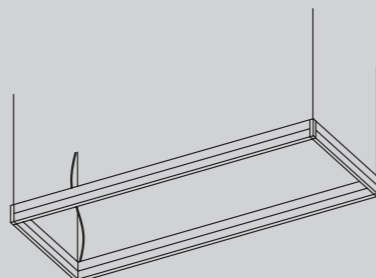
Lamp / 77W LED 3000K 11520LM

COMPO 30X60



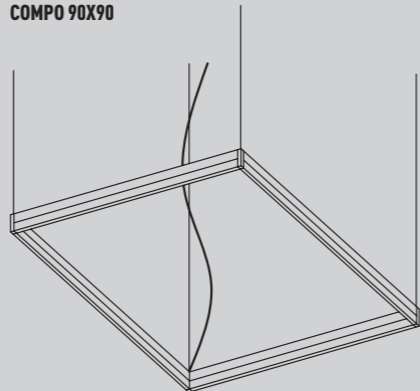
Lamp / 29W LED 3000K 4320LM

COMPO 30X120



Lamp / 48W LED 3000K 7200LM

COMPO 90X90

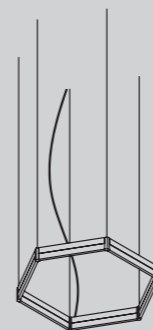


Lamp / 58W LED 3000K 8640LM

FRAME

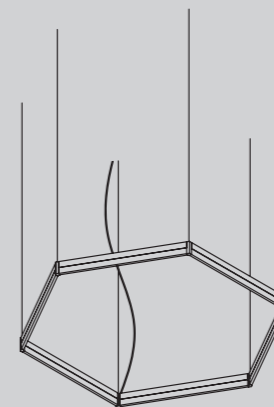
collection

COMPO ESAGONO 30 - Ø 70



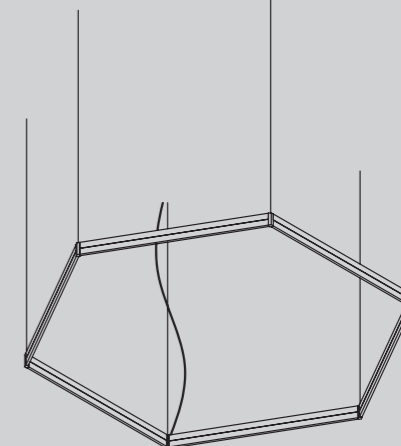
Lamp / 29W LED 3000K 4320LM

COMPO ESAGONO 60 - Ø 130



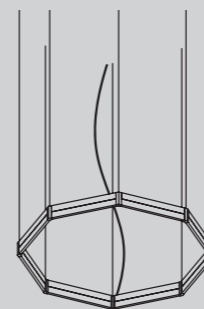
Lamp / 56W LED 3000K 8640LM

COMPO ESAGONO 90 - Ø 190



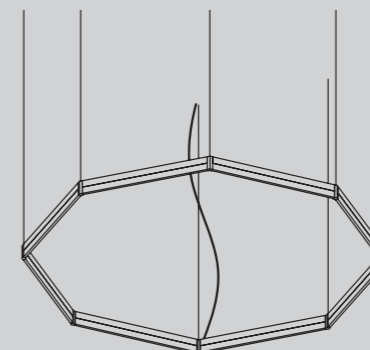
Lamp / 83W LED 3000K 12960LM

COMPO OTTAGONO 30 - Ø 90



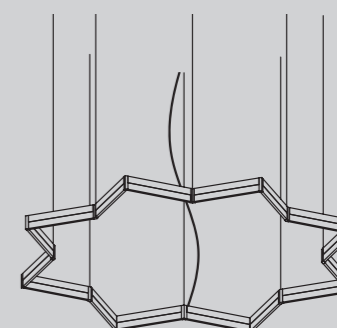
Lamp / 39W LED 3000K 5760LM

COMPO OTTAGONO 60 - Ø 170



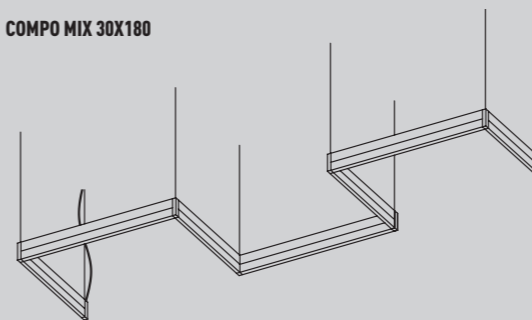
Lamp / 79W LED 3000K 11520LM

COMPO STELLA Ø 170



Lamp / 79W LED 3000K 11520LM

COMPO MIX 30X180



Lamp / 48W LED 3000K 7200LM

MATERIAL

aluminium and PMMA
alluminio e PMMA

DIFFUSER/DIFFUSORE



clear PMMA
/ PMMA trasparente

STRUCTURE / MONTATURA



platinum finish
/ finitura platino



gold finish
/ finitura oro



white RAL 9010
/ bianco RAL 9010



black
/ nero RAL 9005



dove RAL 1019
/ tortora RAL 9005